

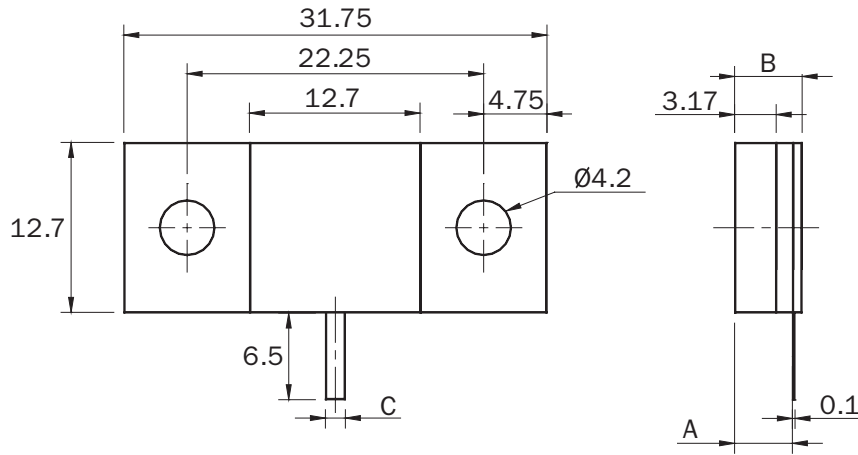
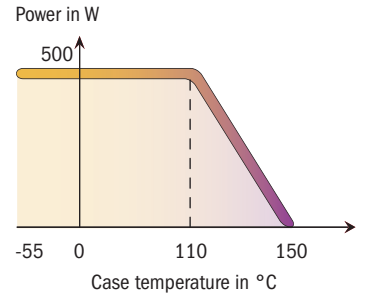
500 W BeO



Standards
NF C 96-315
MIL-DTL-39030



Substrate	BeO
Resistive film	Thick film
Tab/Plating	Ag
Mounting flange/Plating	Cu/Ni
Cover substrate	Al ₂ O ₃



Dimensions in mm

mm	inch
0.1	0.004
1.5	0.059
3.17	0.125
4.2	0.165
4.75	0.187
5.1	0.201
6	0.236
6.5	0.256
12.7	0.500
22.25	0.876
31.75	1.250

P/N	Frequency (GHz)	Power (W)	Impedance ($\Omega \pm 5\%$)	Max VSWR	A (mm)	B (mm)	C (mm)
17-0329	0.5	500	50	1.25	4.2	5.1	1.5
17-0356	1	500	50	1.20	5.1	6	1.5
17-0515	1	500	50	1.20	5.1	6	3