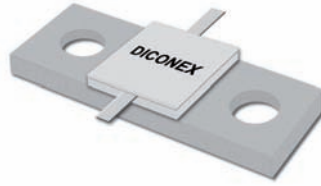
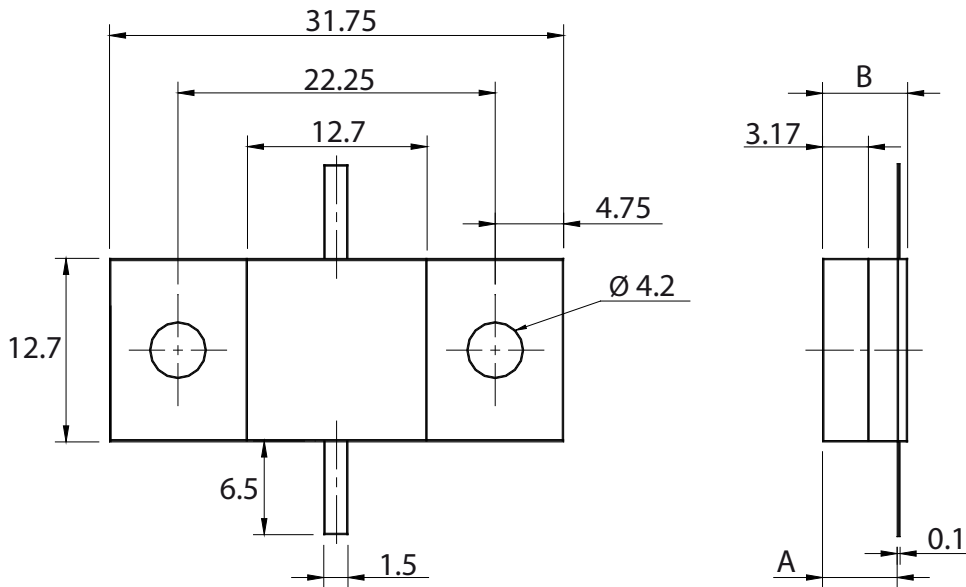
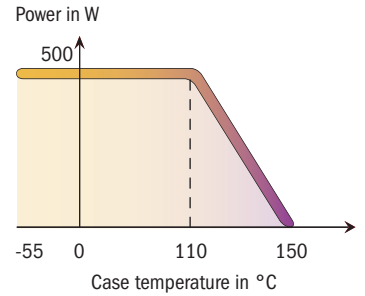




Standards
NF C 96-315
MIL-DTL-39030



Substrate	BeO
Resistive film	Thick film
Tab	Ag
Mounting flange/Plating	Cu/Ni
Cover substrate	Al ₂ O ₃



Dimensions in mm

mm	inch
0.1	0.004
1.5	0.059
3.17	0.125
4.2	0.165
4.75	0.187
5.1	0.201
6	0.236
6.5	0.256
12.7	0.500
22.25	0.876
31.75	1.250

P/N	Frequency (GHz)	Power (W)	Resistance* (Ω ± 5%)	Capacitance** (C ₀ pF)	A (mm)	B (mm)
39-0081	0.5	500	39	7.2	4.2	5.1
39-0060	0.5	500	50	7.2	4.2	5.1
39-0063	0.5	500	100	7.2	4.2	5.1
39-0189	1	500	12.5	4.2	5.1	6
39-0071	1	500	50	4.2	5.1	6
39-0072	1	500	100	4.2	5.1	6

* Others values on request

** C₀ is the value of capacitance measured in DC.

C_{HF} is the RF equivalent capacitance measured with NWA with one port grounded C_{HF} = 1/3 C₀

