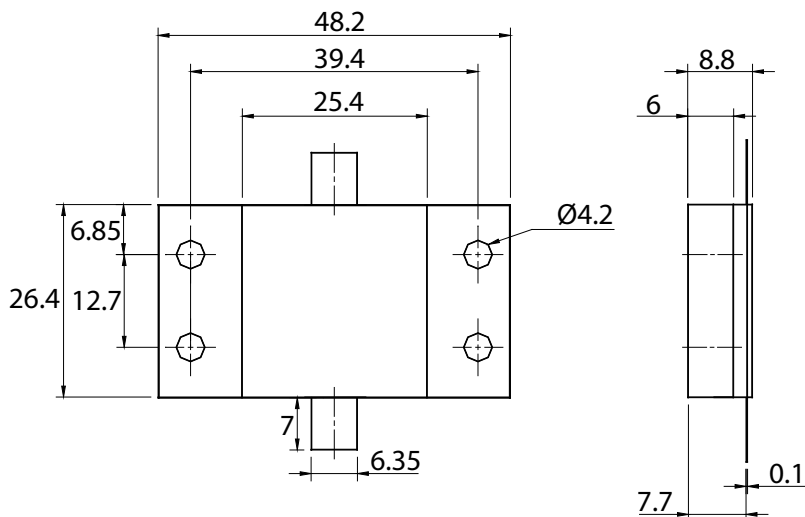
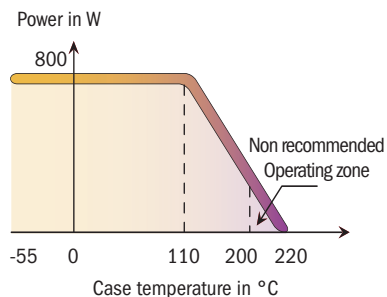




Standards
NF C 96-315
MIL-DTL-39030



Substrate	BeO
Resistive film	Thick film
Tab/Plating	CuBe/Ag
Mounting flange/Plating	Cu/Ni
Cover substrate	Al ₂ O ₃



Dimensions in mm

mm	inch
0.1	0.004
4.2	0.165
6.2	0.244
6.35	0.250
6.85	0.270
7.7	0.303
8.8	0.346
9	0.354
12.7	0.500
25.4	1.000
26.4	1.040
39.4	1.551
48.2	1.898

P/N	Frequency (GHz)	Power (W)	Resistance* (Ω ± 5%)	Capacitance** C ₀ (pF)
39-0090	0.25	800	12.5	14
39-0089	0.25	800	25	14
39-0061	0.25	800	50	14
39-0062	0.25	800	100	14

* Others values on request

** C₀ is the value of capacitance measured in DC.

C_{HF} is the RF equivalent capacitance measured with NWA with one port grounded C_{HF} = 1/3 C₀

